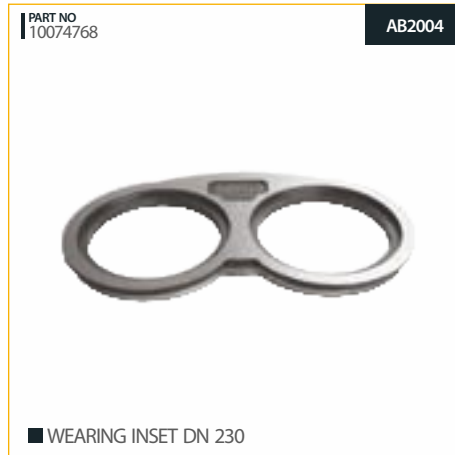




SCHWING

Spare Parts For Concrete Pump - Mixer

www.abbhidrolik.com



PART NO
10018046

AB2012



■ HOUSING LING DN180 OUTLET SIDE

PART NO
10025851

AB2013



■ HOUSING LING DN135 OUTLET SIDE

PART NO
10018029

AB2014



■ COVER LINING

PART NO
10078435

AB2015



■ TRANSITION PIECE WITH COLLAR DN230/210

PART NO
10077886

AB2016



■ TRANSITION PIECE WITH COLLAR DN 200/200

PART NO
10060528

AB2017



■ BUSHING

PART NO
1001837

AB2018



■ BEARING BUSHING D 95/108X70

PART NO
10018047

AB2019



■ SUPPORT BUSHING

PART NO
10029441

AB2020



■ COVER

PART NO
10018035

AB2021



■ SEALING COVER

PART NO
10017396

AB2022



■ SETTING DISC

PART NO
10043980

AB2023



■ TENSION NUT

PART NO
10181912

AB2024



■ ROCKDN 220/180 -EXRTA WELDED

PART NO
10059467

AB2025



■ ROCK DN210/180 -EXRTA WELDED

PART NO
10029138

AB2026



■ SEAL KIDNEY DN 180

PART NO
10180090

AB2027



■ SLEWING SHAFT

PART NO
10064073

AB2028



■ SLEWING SHAFT

PART NO
10140380

AB2029



■ SEAL KIDNEY DN 150

PART NO
10032581

AB2030



■ TENSION NUT NEW

PART NO
10018071

AB2031



■ SLEWING LEVER DN 210/180

PART NO
10080782

AB2032



■ LOCKING CAP DN 250

PART NO
10035783

AB2033



■ SEAL -RING DN 250

PART NO
10032789

AB2034



■ CLAMP PIECE LEFT

PART NO
10032788

AB2035



■ CLAMP PIECE RIGHT

PART NO
10094569

AB2036



■ SLEWING CYLINDER

PART NO
10017550

AB2037



■ SLEWING CYLINDER

PART NO
10118219

AB2038



■ BUSHING

PART NO
10118218

AB2039



■ SLEWING PIVOT

PART NO
10017552

AB2040



■ SLEWING PIVOT

PART NO
10058466

AB2041



■ CYLINDER SUPPORT

PART NO
10017555

AB2042



■ CYLINDER HEAD

PART NO
10017554

AB2043



■ PROTECTING TUBE

PART NO
10058467

AB2044



■ BOLT

PART NO
10017557

AB2045



■ CYLINDER

PART NO
10017553

AB2046



■ BOLT

PART NO
10018073

AB2047



■ COVER WITH SCREW

PART NO
10094649

AB2048



■ CYLINDER HEAD

PART NO
10017559

AB2049



■ TENSION RING

PART NO
10017556

AB2050



■ PISTON ROD

PART NO
10017560

AB2051



■ ROD EYE

PART NO
10064756

AB2052



■ SEAL SET FOR SLEWING CYLINDER

PART NO
10025660

AB2053



■ DELIVERY CYLINDER DN 200X2125

PART NO
10019377

AB2054



■ DELIVERY CYLINDER DN 230X2000

PART NO
100178873

AB2055



■ DELIVERY CYLINDER DN 250X2500

PART NO
10009770

AB2056



■ DELIVERY CYLINDER DN 180

PART NO
10159256

AB2057



■ CONNECTION PIECE

PART NO
10011849

AB2058



■ PISTON ROD FLANGE 75 MM

PART NO
10011849

AB2059



■ PISTON ROD FLANGE 80 MM

PART NO
10161980

AB2060



■ PISTON RAM DN 250

PART NO
10043827

AB2061



■ PISTON RAM DN 230

PART NO
10161754

AB2062



■ PISTON RAM DN 200

PART NO
10031492

AB2063



■ DIFFERENTIAL CYLINDER 2023 120/80/2000

PART NO
10031493

AB2064



■ CYL WELD 2023 120X2000

PART NO
10013157

AB2065



■ PISTON ROD 80X1892/16-50

PART NO
10164038

AB2066



■ DIFFERENTIAL CYLINDER 2023 120/85/2500

PART NO
10023480

AB2067



■ CYL WELD 2023 130X2000

PART NO
10176360

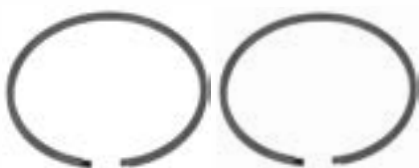
AB2068



■ PISTON ROD 75X2292/16-50

PART NO
10007990

AB2069



■ PISTON RING

PART NO
10014343

AB2070



■ HYDRAULIC PISTON 125/80

PART NO
10017529

AB2071



■ HYDRAULIC PISTON 120/80

PART NO 10039180 AB2072



■ HYDRAULIC MOTOR BUCHER BREL 470

PART NO 30334088 AB2073



■ SHAFT FOR HYDRAULIC MOTOR BUCHER BREL 470

PART NO 10076459 AB2074



■ SEAL SET FOR HYDRAULIC MOTOR BUCHER BREL 470

PART NO 10039180 AB2075



■ HYDRAULIC MOTOR Ø31.75

PART NO 10076460 AB2076



■ SHAFT FOR OEM HYDRAULIC MOTOR

PART NO 76459 AB2077



■ SEAL SET FOR OEM HYDRAULIC MOTOR

PART NO 10035156 AB2078



■ COUPLING 31,5X5050

PART NO 10033393 AB2079



■ COUPLING 17,5X50X48

PART NO 98321615 AB2080



■ TORQUE SUPPORT

PART NO 10052446 AB2081



■ AGITATOR SHAFT

PART NO 10167220 AB2082



■ AGITATOR SHAFT

PART NO 10182402 AB2083



■ AGITATOR SHAFT

PART NO
10061072

AB2084



■ AGITATOR BEARING L

PART NO
10061073

AB2085



■ AGITATOR BEARING R

PART NO
98347073

AB2086



■ AGITATOR COMPLETE -NEW TYPE

PART NO
10061075

AB2087



■ FLANGE SHAFT

PART NO
10061080

AB2088



■ FLANGED SHAFT

PART NO
10061075

AB2089



■ FLANGE SHAFT

PART NO
10061077

AB2090



■ BUSHING D 60/68X23

PART NO
10061082
10061083

AB2091



■ FLANGE BUSHING D, DISC

PART NO
10061081

AB2092



■ DISC 85X10

PART NO
10026159

AB2093



■ CONNECTION BEND DN 180 14 DEGREES

PART NO
10004761

AB2094



■ 6" SEALING DN 150/BF 4005

PART NO
10006403

AB2095



■ SEAL 6"

PART NO
10017547

AB2096



■ TAPERED BEND DN 180/150 90 DEGREES

PART NO
10069521

AB2097



■ ELBOW DN 150 DEGREES M/F JOINT

PART NO
10043560

AB2098



■ CUP TYPE COUPLING DN 180

PART NO
10181335

AB2099



■ 1. OUTLET ELBOW DN 180

PART NO
10181333

AB2100



■ 2. OUTLET ELBOW DN 180

PART NO
10043559

AB2101



■ CUP-TENSION CLAMP DN 150 WITH WEDGE

PART NO
10151721

AB2102



■ ELBOW 90 DEGREE WITH 34cm EXTENSION 5,5"

PART NO
10119116

AB2103



■ ELBOW 90 DEGREE WITH 10cm EXTENSION 5,5"

PART NO
10002386
10018117

AB2104



■ COMPLETE SET

PART NO
10018123

AB2105



■ HINGE

PART NO
234060007

AB2106



■ ELBOW 10 DEGREE 5,5"

PART NO
057598002

AB2107



■ ELBOW 15 DEGREE 6R=230

PART NO
10008470



AB2108

■ TAPERED PIPE DN 3000 mm

PART NO
10188990



AB2109

■ TAPERED PIPE DN 2500 mm

PART NO
10116091



AB2110

■ TAPERED PIPE DN 1600 mm

PART NO
10188905



AB2111

■ TAPERED PIPE 1550 mm DN150/125

PART NO
10201401



AB2112

■ TAPERED PIPE 1500 mm DN180/150

PART NO
10911842



AB2113

■ TAPERED PIPE 1460 mm DN150/125

PART NO
245484009



AB2114

■ ELBOW 20 DEGREE 5,5"

PART NO
10035756



AB2115

■ ELBOW 30 DEGREE 5,5"

PART NO
10014526



AB2116

■ ELBOW 45 DEGREE 5,5"

PART NO
10010479



AB2117

■ ELBOW 90 DEGREE 5,5- R=275

PART NO
10116089



AB2118

■ ELBOW 45 DEGREE 6"

PART NO
10188894



AB2119

■ ELBOW 50 DEGREE 6" R=230

PART NO
10035756

AB2120



■ BEND 5.5" DN125 32.5 DEGREE 5.5"

PART NO
10188894

AB2121



■ BEND 150 6" 50DEG. R230

PART NO
10215835

AB2122



■ BEND 150 6" 32.5 DEG. R230

PART NO
10002526

AB2123



■ SEALING 5,5"

PART NO
10007018

AB2124



■ CLAMP TYPE COUPLING 5,5"

PART NO
10006587

AB2125



■ SCREW TYPE CUPLING 5,5"

PART NO
10133242

AB2126



■ CLAMP 5,5" WITH SUPPORT

PART NO
10010238

AB2127



■ ROUND STEEL STIRRUP

PART NO
10072108

AB2128



■ VIBRATOR , 12V

PART NO

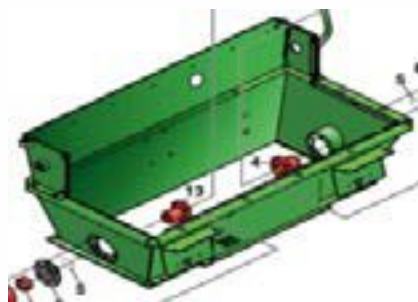
AB2129



■ HOPPER

PART NO

AB2130



■ HOPPER NEW

PART NO

AB2131



■ HOPPER

PART NO
98380243

AB2132



■ FILTER ELEMENT

PART NO
10190588

AB2133



■ FILTER ELEMENT

PART NO
98333016

AB2134



■ FILTER ELEMENT

PART NO
10072694

AB2135



■ FILTER ELEMENT

PART NO
10073397

AB2136



■ FILTER ELEMENT

PART NO
10155110

AB2137



■ FILTER ELEMENT

PART NO
10171638

AB2138



■ CONTROL BLOCK VALVE

PART NO
10070455

AB2139



■ BRAKE VALVE CARTRIDGE-TRIDGE

PART NO
10154860

AB2140



■ VALVE CARTRIDGE

PART NO
10163454

AB2141



■ SEAL SET BOOM

PART NO
10163456

AB2142



■ SEAL SET BOOM

PART NO
10163453

AB2143



■ SEAL SET BOOM

PART NO
10167567

AB2144



■ HOSE REEL

PART NO
10200404

AB2145



■ HYDRAULIC PIMP A11VLO190

PART NO
10200508

AB2146



■ HYDRAULIC PIMP A11VLO130

PART NO
10185727

AB2147



■ HYDRA MOTOR 31+31+31

PART NO
10201751

AB2148



■ HYDRAULIC PUMP A11VO40DR R

PART NO
10174306

AB2149



■ HYDRAULIC PUMP A4FO22/32L

PART NO
10155096

AB2150



■ HYDRAULIC PUMP A7VO107 R

PART NO
10117070

AB2151



■ SLEWING UNIT GEAR

PART NO
10004941

AB2152



■ POWER TAKE-OF PINION

PART NO
278023000

AB2153



■ DISTRIBUTOR GEAR BOX G64

PART NO
10003828

AB2154



■ FLANGE

PART NO
10033394

AB2155



■ CLUTCH PLECE



Fevzi Çakmak Mh. Hudai Sk. No: 20 42300 Selçuklu - Konya - Türkiye
Tel: +90 332 342 40 98
E-Mail: info@abbhidrolik.com